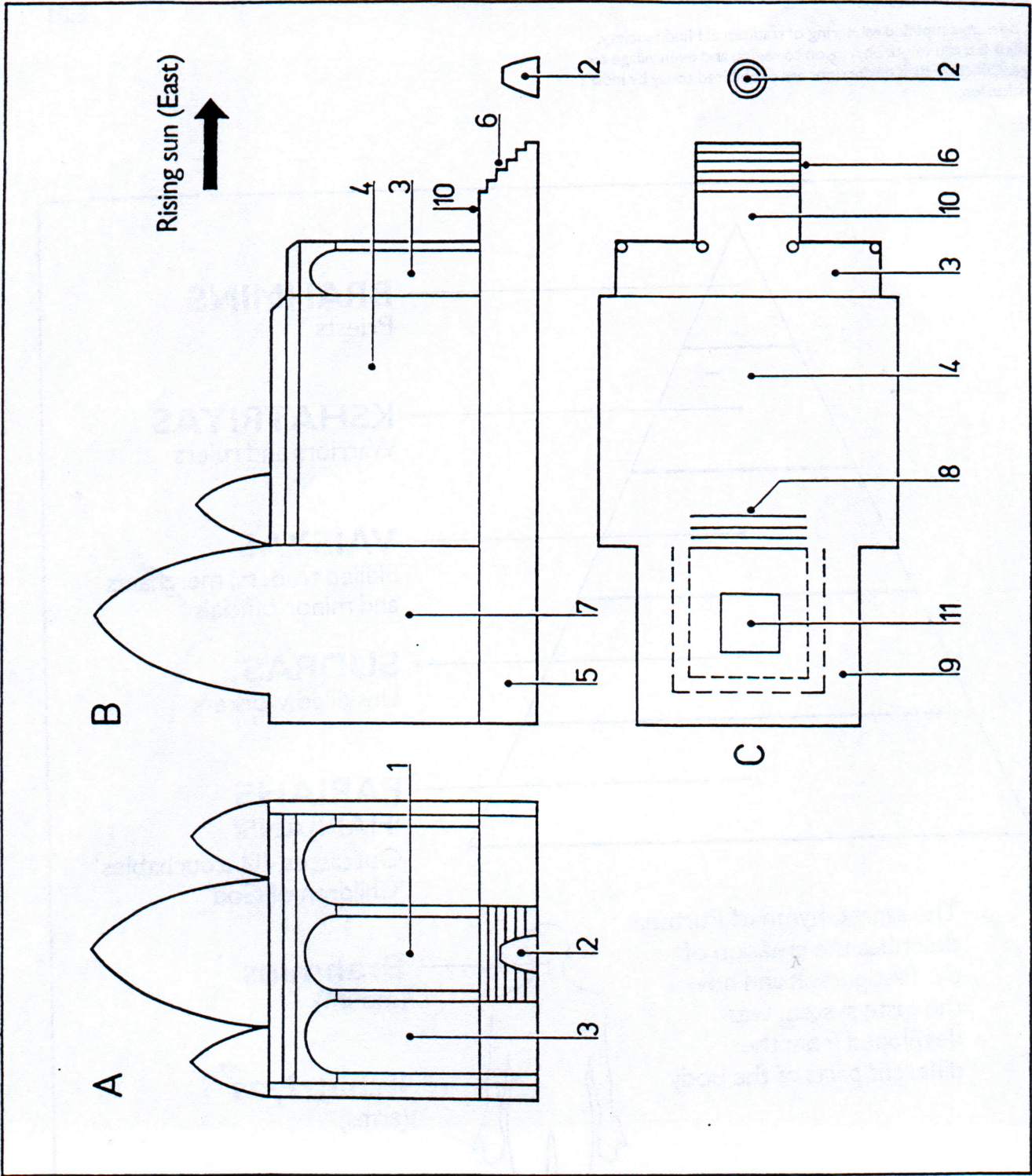


The Mandir (Hindu temple)

2.02



Mandir means 'abiding place' or 'dwelling' being the home of the god worshipped there. The main services are at sunrise and sunset.

- A Temple entrance
- B Side view of temple
- C Plan of temple
- 1 Temple entrance
- 2 Stone image
- 3 Pillared hallway
- 4 Hall
- 5 Basement
- 6 Steps
- 7 Shrine room
- 8 Steps to the shrine
- 9 Processional passage
- 10 Porch
- 11 Images